



Delivering the future of mobility now

Nirmal Nair, Vice President Marketing, Nissan Asia & Oceania
July 30, 2020



57%
Manila

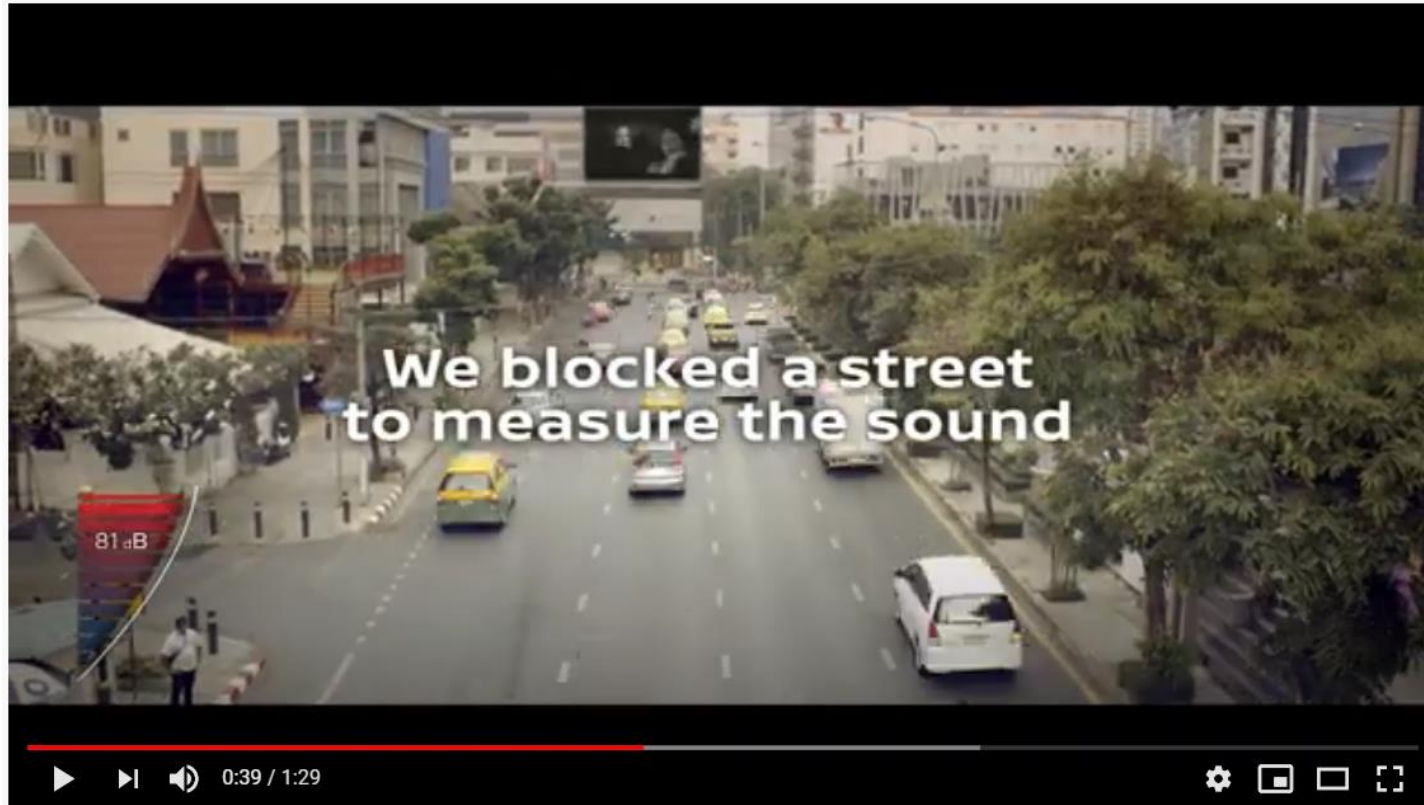
42%
Ho Chi Minh
City

61%
Bangkok

58%
Jakarta

LOST TIME DUE TO TRAFFIC CONGESTION

Reducing city stress through near-noiseless driving



Nissan Experiment: What will a 'City of the Future' sound like?



www.youtube.com/NissanAsiaOceania

Focused ASEAN electrification strategy

1. Make electrified mobility as accessible to as many people as possible
2. Creating awareness of the benefits of EVs
3. Together with partners, build the right ecosystem



Driving electrified mobility since 1947

475k+ sold; 10+ billion km driven

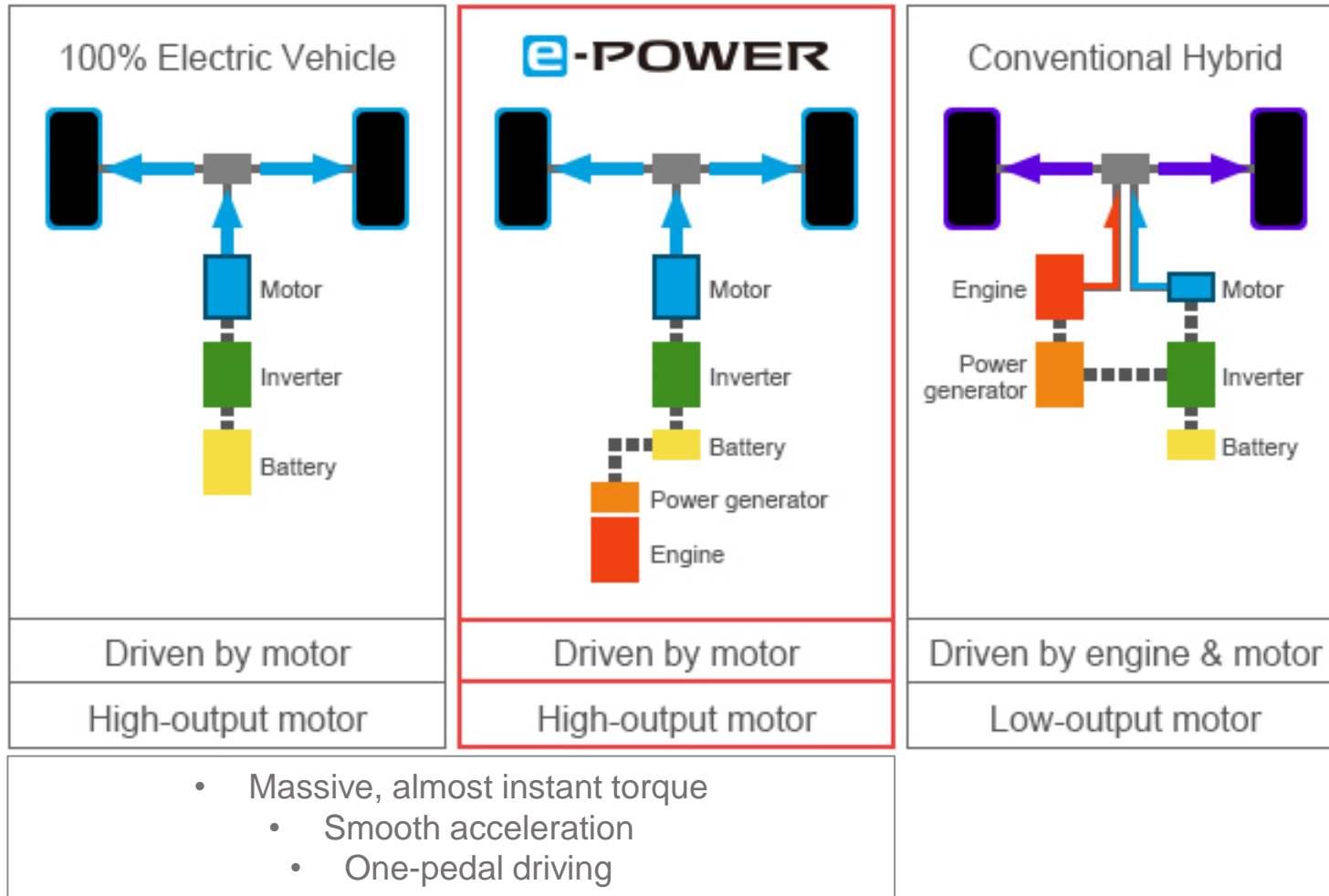


e-POWER



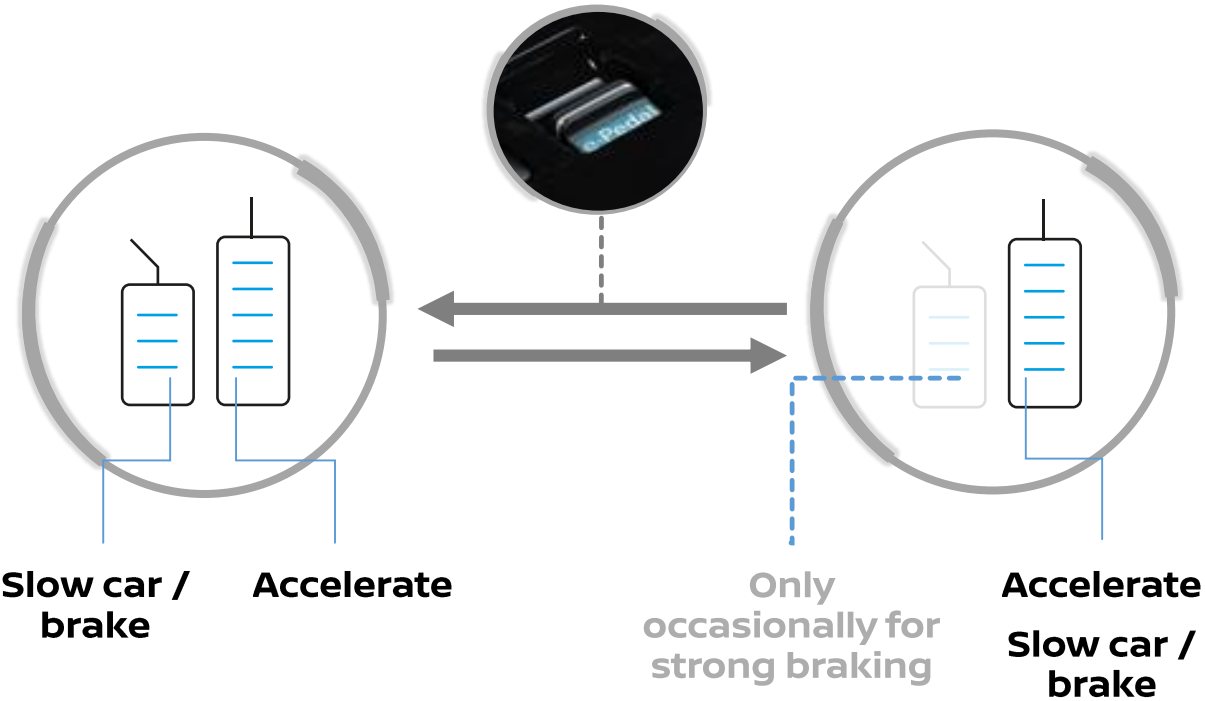
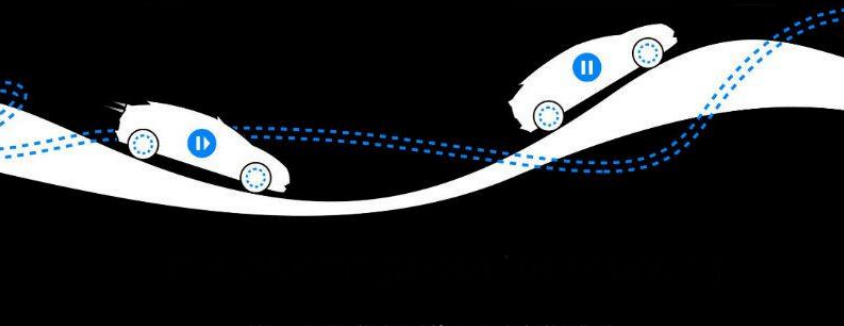
Nissan e-POWER

The EV driving experience but without the need to charge



EVs are exciting to drive!

**BRAKE USAGE
REDUCED BY
90%
IN CITY DRIVING**



**Automatic
transmission**

Electric vehicles &
Petrol/Diesel engines

**One-pedal
driving**

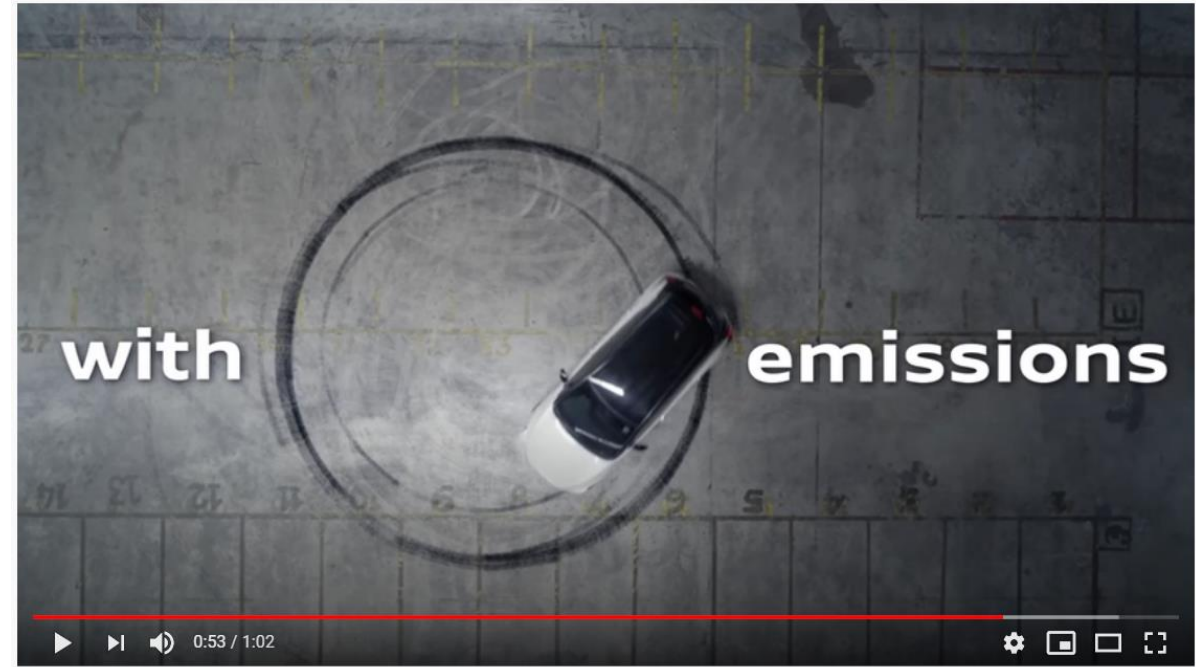
New Nissan LEAF
and e-POWER



Busting EV myths



#LEAFSMILE #Nissan
Nissan's Daring Challenge: Nissan LEAF against Mother Nature



#LEAFSMILE #NissanLEAF
Nissan LEAF Unexpected Experiment (Mobile)

www.youtube.com/NissanAsiaOceania

Thank you